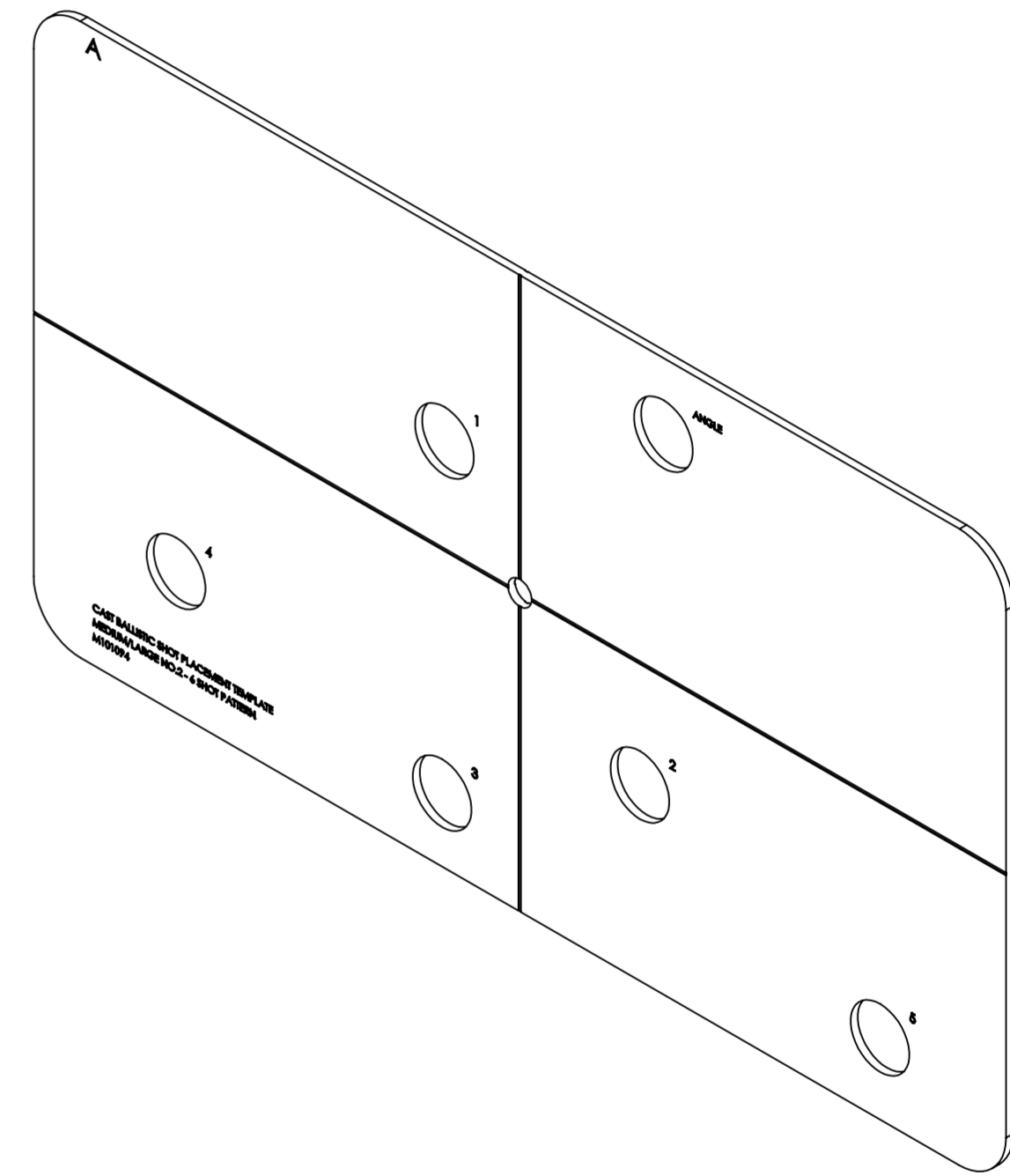
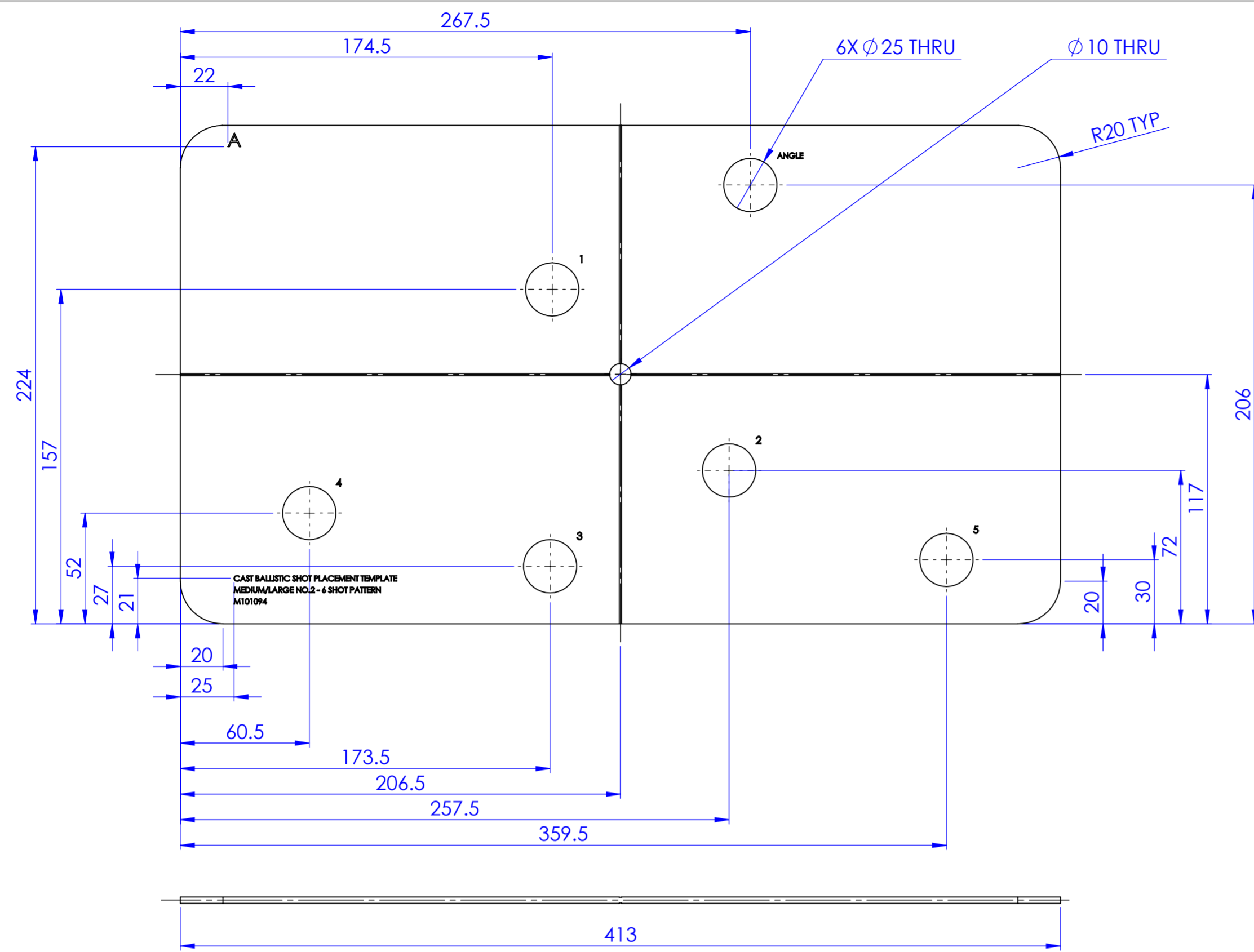
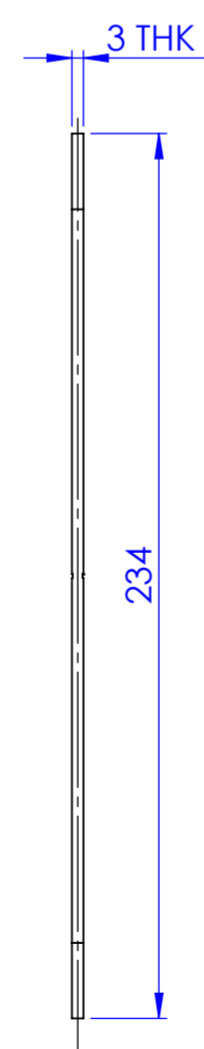
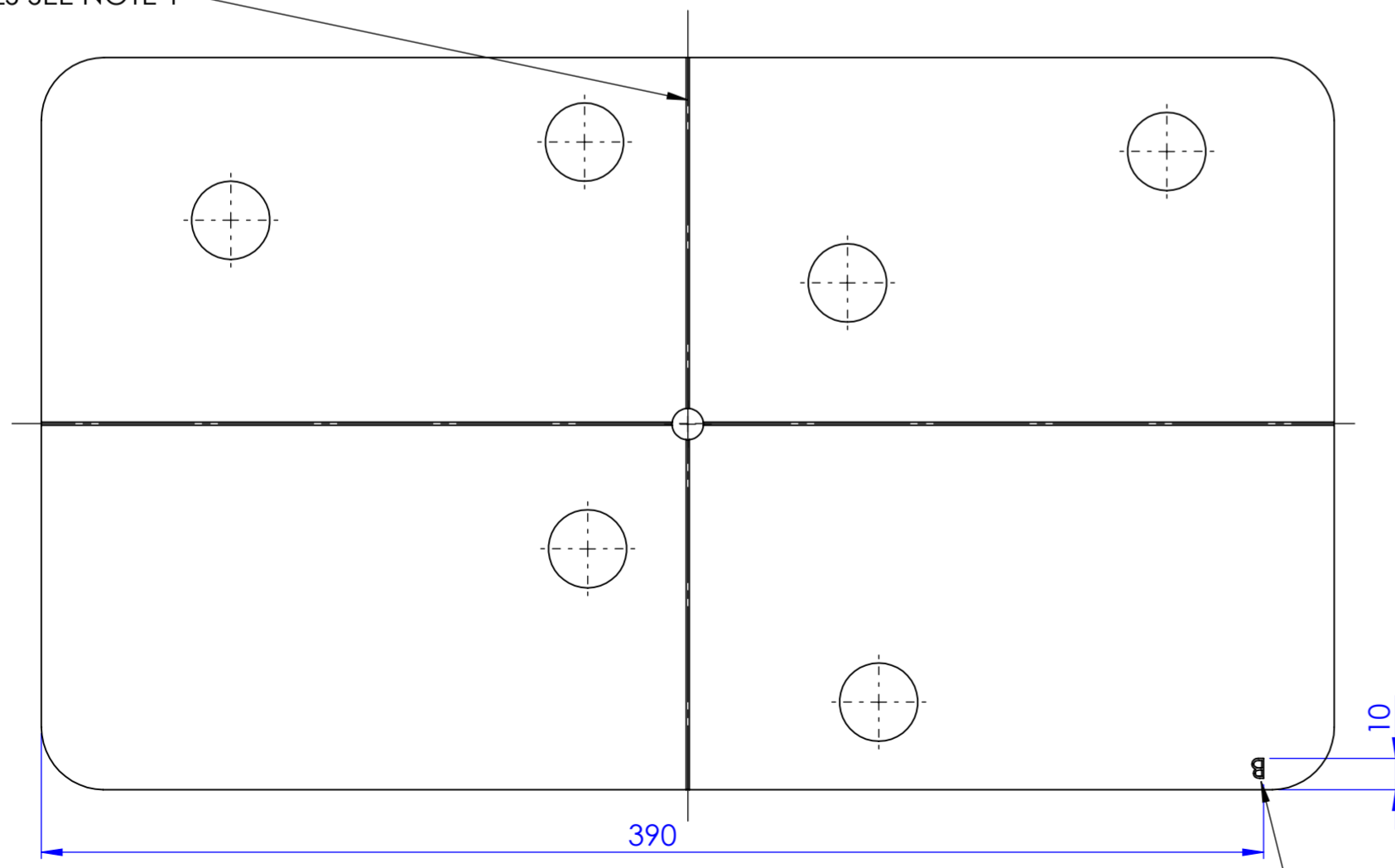


REV.	DESCRIPTION	DATE	STATUS	APPROVED BY
A	ISSUED	06/02/2017	ISSUED	TP



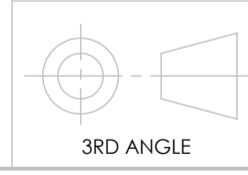
FOR GUIDELINE DETAILS SEE NOTE 1



FOR TEXT DETAILS SEE NOTE 2

- NOTES:
- CENTRE LINES TO BE ETCHED OR ENGRAVED.
LINE THICKNESS: 1MM
 - TEXT TO BE ENGRAVED OR ETCHED.
TEXT FONT: ARIAL
TEXT SIZE: TITLE - 10, SIDE (A/B) - 24
LOCATION AS SHOWN

DO NOT SCALE DRAWING - DRAWN ON SOLIDWORKS
IF IN DOUBT ASK



<p>Home Office Centre for Applied Science and Technology</p>	<p>UNLESS OTHERWISE SPECIFIED: 1. DIMENSIONS ARE IN MILLIMETRES 2. GENERAL TOLERANCES: ±0.10 3. HOLES: ±0.10 4. ANGLES: ±0.25° 5. DE-BURR ALL HOLES & SHARP EDGES</p>	<p>MATERIAL: Acrylic (Medium-high impact)</p>	<p>FINISH: NATURAL</p>							
	<table border="1"> <thead> <tr> <th>NAME</th> <th>DATE</th> </tr> </thead> <tbody> <tr> <td>DRAWN JM</td> <td>03/02/2017</td> </tr> <tr> <td>MODELLED JM</td> <td>16/01/2017</td> </tr> <tr> <td>CHECKED SG</td> <td>06/02/2017</td> </tr> </tbody> </table>	NAME	DATE	DRAWN JM	03/02/2017	MODELLED JM	16/01/2017	CHECKED SG	06/02/2017	<p>SECURITY: OFFICIAL</p>
NAME	DATE									
DRAWN JM	03/02/2017									
MODELLED JM	16/01/2017									
CHECKED SG	06/02/2017									
<p>Woodcock Hill Sandridge St Albans AL4 9HQ Tel: 01727-815051 Email: cast@homeoffice.gsi.gov.uk</p>	<p>PROJECT NAME: REV BODY ARM STD PROJECT CODE: 183A ADELPHI CODE: 9564130</p>	<p>TITLE: CAST BALLISTIC SHOT PLACEMENT TEMPLATE - MEDIUM/LARGE NO.2 - 6 SHOT PATTERN</p>								
<p>FILENAME: M101094</p>		<p>DWG NO: M101094</p>	<p>JOB NUMBER:</p>							
<p>SCALE: 1:2</p>		<p>USED ON:</p>	<p>STEP FILE NAME: STEP-M101094-A STL FILE NAME: STL-M101094-A DXF FILE NAME: DXF-M101094-A SHEET 1 OF 1</p>							