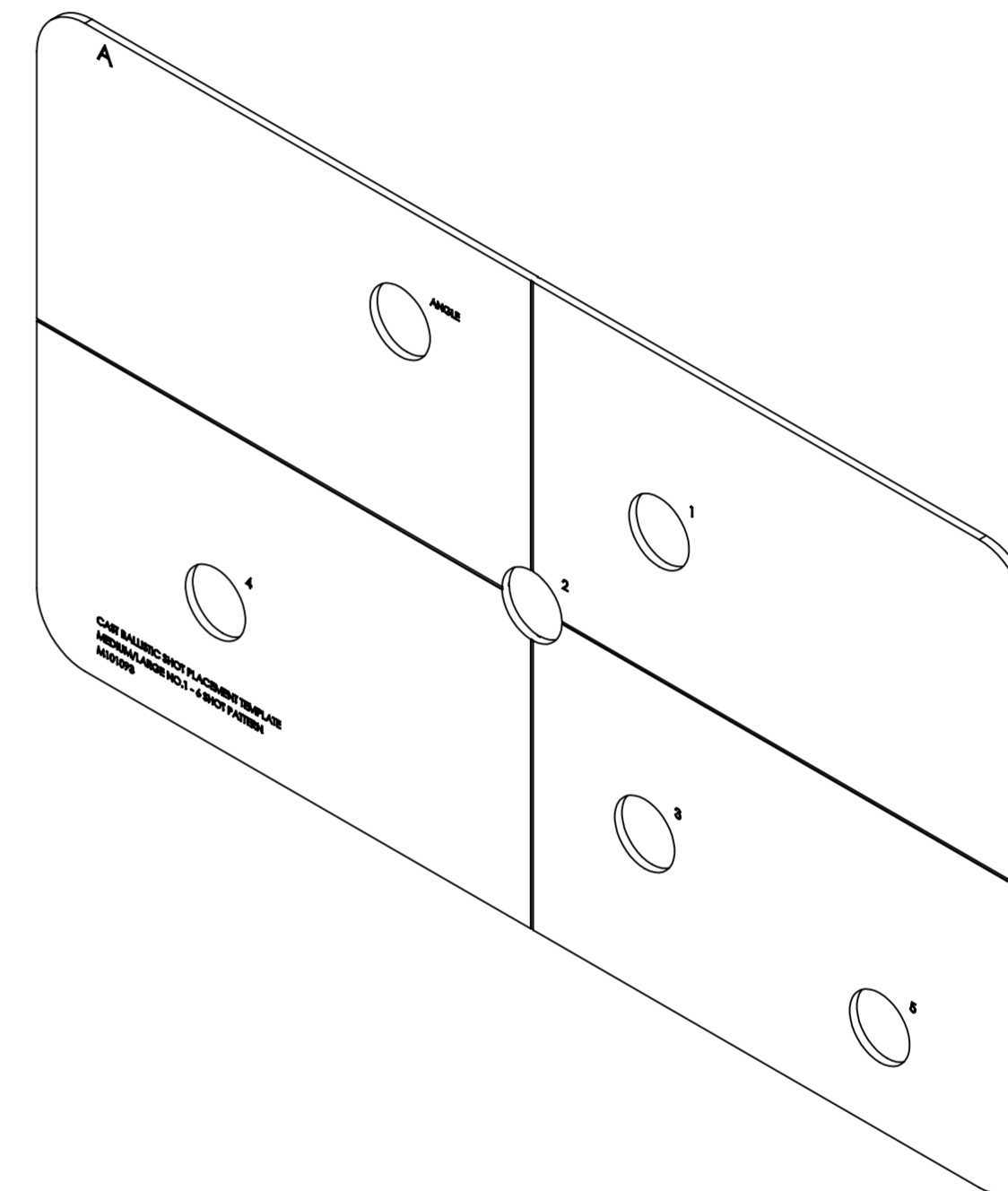


FOR GUIDELINE DETAILS SEE NOTE 1

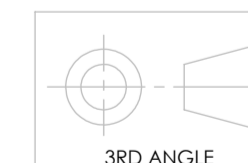
FOR TEXT DETAILS SEE NOTE 2

- NOTES:
- CENTRE LINES TO BE ETCHED OR ENGRAVED. LINE THICKNESS: 1MM
  - TEXT TO BE ENGRAVED OR ETCHED. TEXT FONT: ARIAL  
TEXT SIZE: TITLE - 10, SIDE (A/B) - 24  
LOCATION AS SHOWN

REV.	DESCRIPTION	DATE	STATUS	APPROVED BY
A	ISSUED	03/02/2017	ISSUED	TP



DO NOT SCALE DRAWING - DRAWN ON SOLIDWORKS  
IF IN DOUBT ASK



<p>Home Office Centre for Applied Science and Technology</p>	<p>UNLESS OTHERWISE SPECIFIED: 1. DIMENSIONS ARE IN MILLIMETRES 2. GENERAL TOLERANCES: ±0.10 3. HOLES: ±0.10 4. ANGLES: ±0.25° 5. DE-BURR ALL HOLES &amp; SHARP EDGES</p>	<p>MATERIAL: Acrylic (Medium-high impact)</p>	<p>FINISH: NATURAL</p>							
	<table border="1"> <thead> <tr> <th>NAME</th> <th>DATE</th> </tr> </thead> <tbody> <tr> <td>DRAWN: JM</td> <td>03/02/2017</td> </tr> <tr> <td>MODELLED: JM</td> <td>16/01/2017</td> </tr> <tr> <td>CHECKED: SG</td> <td>06/02/2017</td> </tr> </tbody> </table>	NAME	DATE	DRAWN: JM	03/02/2017	MODELLED: JM	16/01/2017	CHECKED: SG	06/02/2017	<p>SECURITY: OFFICIAL</p>
NAME	DATE									
DRAWN: JM	03/02/2017									
MODELLED: JM	16/01/2017									
CHECKED: SG	06/02/2017									
<p>Woodcock Hill Sandridge St Albans AL4 9HQ</p> <p>Tel: 01727-815051 Email: cast@homeoffice.gsi.gov.uk</p>	<p>PROJECT NAME: REV BODY ARM STD PROJECT CODE: 183A ADELPHI CODE: 9564130</p>	<p>TITLE: CAST BALLISTIC SHOT PLACEMENT TEMPLATE - MEDIUM/LARGE NO.1 - 6 SHOT PATTERN</p>	<p>DWG NO: <b>M101093</b></p>							
<p>HOME OFFICE CENTRE FOR APPLIED SCIENCE AND TECHNOLOGY (HOME OFFICE CAST) ©2017. THIS DOCUMENT CONTAINS COMMERCIAL SENSITIVE INFORMATION. ITS CONTENTS ARE THE PROPERTY OF HOME OFFICE CAST. IT MAY NOT BE USED, COPIED OR DISCLOSED WITHOUT THE PRIOR AUTHORIZATION OF HOME OFFICE CAST. PRINTED COPIES MUST BE KEPT SECURE AND NOT READ IN AN INSECURE ENVIRONMENT. THIS DOCUMENT IS RETURNABLE ON DEMAND.</p>		<p>USED ON: FILENAME: M101093 SCALE: 1:2</p>	<p>STEP FILE NAME: STEP-M101093-A STL FILE NAME: STL-M101093-A DXF FILE NAME: DXF-M101093-A SHEET 1 OF 1 A2</p>							