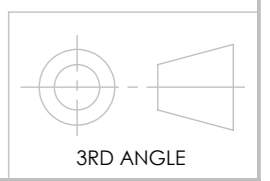
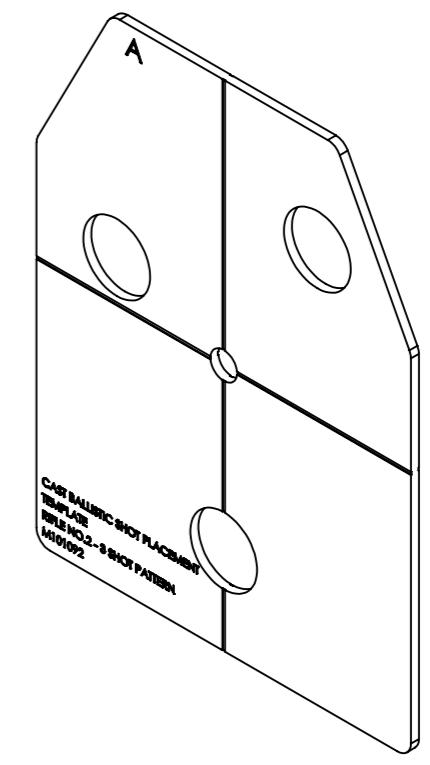


FOR GUIDLINE DETAILS SEE NOTE 1

FOR TEXT DETAILS SEE NOTE 2

- NOTES:
- CENTRE LINES TO BE ETCHED OR ENGRAVED. LINE THICKNESS: 1MM
  - TEXT TO BE ENGRAVED OR ETCHED. TEXT FONT: ARIAL  
TEXT SIZE: TITLE - 10, SIDE (A/B) - 24  
LOCATION AS SHOWN

REV.	DESCRIPTION	DATE	STATUS	APPROVED BY
A	ISSUED	03/02/2017	ISSUED	TP



DO NOT SCALE DRAWING - DRAWN ON SOLIDWORKS  
IF IN DOUBT ASK

<p>Home Office</p> <p>Centre for Applied Science and Technology</p> <p>Woodcock Hill Sandridge St Albans AL4 9HQ</p> <p>Tel: 01727-815051 Email: cast@homeoffice.gsi.gov.uk</p>	<p>UNLESS OTHERWISE SPECIFIED:</p> <ol style="list-style-type: none"> <li>DIMENSIONS ARE IN MILLIMETRES</li> <li>GENERAL TOLERANCES: ±0.10</li> <li>HOLES: ±0.10</li> <li>ANGLES: ±0.25°</li> <li>DE-BURR ALL HOLES &amp; SHARP EDGES</li> </ol>	MATERIAL:	Acrylic (Medium-high impact)	FINISH:	NATURAL												
		SECURITY:	OFFICIAL	WEIGHT:	82.00192 g	VOLUME:	68334.93602 mm³										
<table border="1"> <thead> <tr> <th></th> <th>NAME</th> <th>DATE</th> </tr> </thead> <tbody> <tr> <td>DRAWN</td> <td>JM</td> <td>03/02/2017</td> </tr> <tr> <td>MODELLED</td> <td>JM</td> <td>12/01/2017</td> </tr> <tr> <td>CHECKED</td> <td>SG</td> <td>06/02/2017</td> </tr> </tbody> </table>			NAME	DATE	DRAWN	JM	03/02/2017	MODELLED	JM	12/01/2017	CHECKED	SG	06/02/2017	TITLE:		CAST BALLISTIC SHOT PLACEMENT TEMPLATE - RIFLE NO.2 - 3 SHOT PATTERN	
	NAME	DATE															
DRAWN	JM	03/02/2017															
MODELLED	JM	12/01/2017															
CHECKED	SG	06/02/2017															
<p>PROJECT NAME : REV BDY ARM STD</p> <p>PROJECT CODE : 183A</p> <p>ADELPHI CODE : 9564130</p>		DWG NO:		M101092													
<p>USED ON:</p> <p>FILENAME: M101092</p> <p>SCALE: 1:2</p>		STEP FILE NAME :		STEP-M101092-A													
		DXF FILE NAME :		DXF-M101092-A													
		SHEET 1 OF 1		A3													