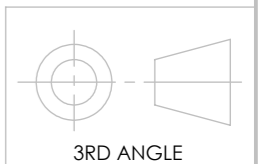
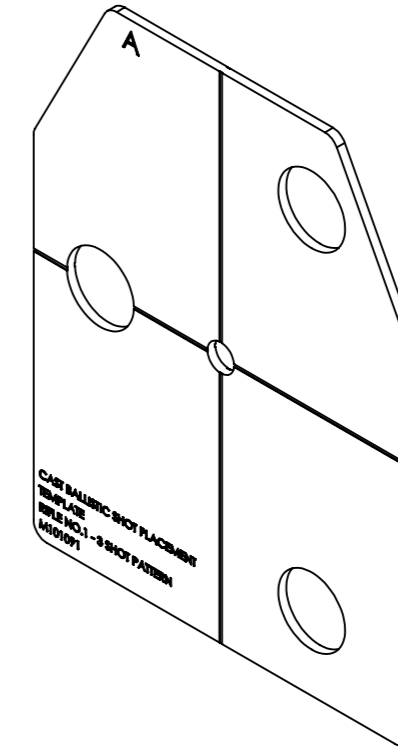


REV.	DESCRIPTION	DATE	STATUS	APPROVED BY
A	ISSUED	03/02/2017	ISSUED	TP



DO NOT SCALE DRAWING - DRAWN ON SOLIDWORKS
IF IN DOUBT ASK

- NOTES:
- CENTRE LINES TO BE ETCHED OR ENGRAVED.
LINE THICKNESS: 1MM
 - TEXT TO BE ENGRAVED OR ETCHED.
TEXT FONT: ARIAL
TEXT SIZE: TITLE - 10, SIDE (A/B) - 24
LOCATION AS SHOWN

<p>Home Office</p> <p>Centre for Applied Science and Technology</p>	<p>UNLESS OTHERWISE SPECIFIED:</p> <ol style="list-style-type: none"> DIMENSIONS ARE IN MILLIMETRES GENERAL TOLERANCES: ± 0.10 HOLES: ± 0.10 ANGLES: $\pm 0.25^\circ$ DE-BURR ALL HOLES & SHARP EDGES 	<p>MATERIAL:</p> <p>Acrylic (Medium-high impact)</p>	<p>FINISH:</p> <p>NATURAL</p>												
	<p>SECURITY:</p> <p>OFFICIAL</p>	<p>WEIGHT:</p> <p>82.00233 g</p>	<p>VOLUME:</p> <p>68335.27859 mm³</p>												
<p>Woodcock Hill Sandridge St Albans AL4 9HQ</p> <p>Tel: 01727-815051 Email: cast@homeoffice.gsi.gov.uk</p>	<table border="1"> <thead> <tr> <th></th> <th>NAME</th> <th>DATE</th> </tr> </thead> <tbody> <tr> <td>DRAWN</td> <td>JM</td> <td>03/02/2017</td> </tr> <tr> <td>MODELLED</td> <td>JM</td> <td>12/01/2017</td> </tr> <tr> <td>CHECKED</td> <td>SG</td> <td>06/02/2017</td> </tr> </tbody> </table>		NAME	DATE	DRAWN	JM	03/02/2017	MODELLED	JM	12/01/2017	CHECKED	SG	06/02/2017	<p>TITLE:</p> <p>CAST BALLISTIC SHOT PLACEMENT TEMPLATE - RIFLE NO.1 - 3 SHOT PATTERN</p>	
	NAME	DATE													
DRAWN	JM	03/02/2017													
MODELLED	JM	12/01/2017													
CHECKED	SG	06/02/2017													
<p>PROJECT NAME: REV BDY ARM STD</p> <p>PROJECT CODE: 183A</p> <p>ADELPHI CODE: 9564130</p>	<p>DWG NO:</p> <p>M101091</p>	<p>JOB NUMBER:</p>													
<p>FILENAME: M101091</p> <p>SCALE: 1:2</p>	<p>STEP FILE NAME: STEP-M101091-A</p> <p>STL FILE NAME: STL-M101091-A</p> <p>DXF FILE NAME: DXF-M101091-A</p>	<p>SHEET 1 OF 1</p>	<p>A3</p>												