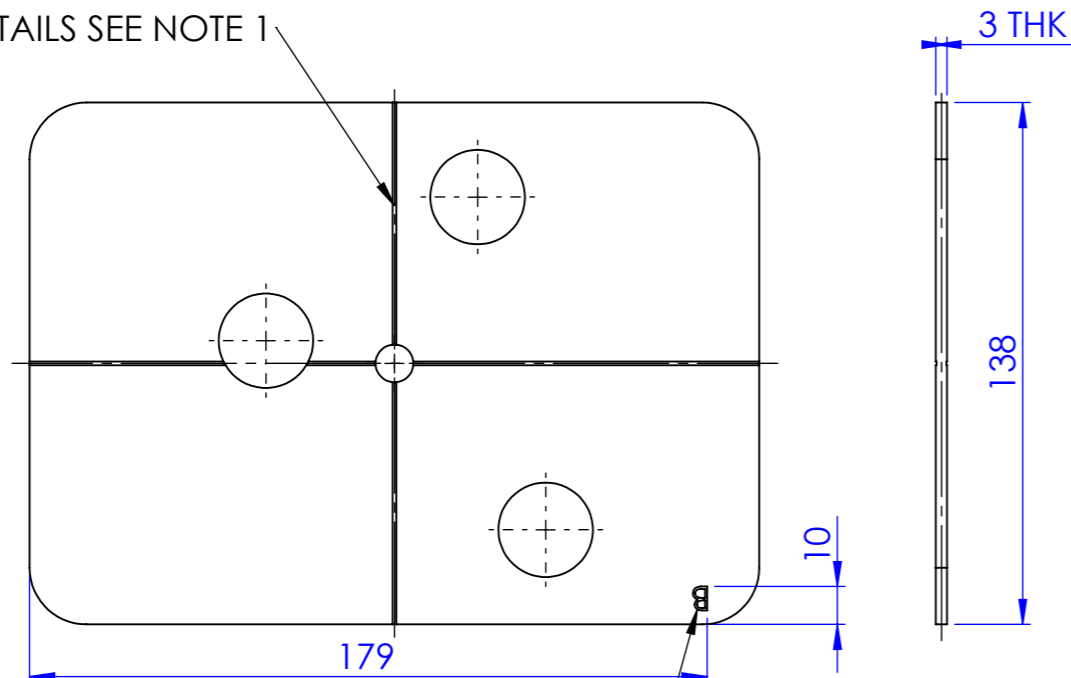


FOR GUIDLINE DETAILS SEE NOTE 1

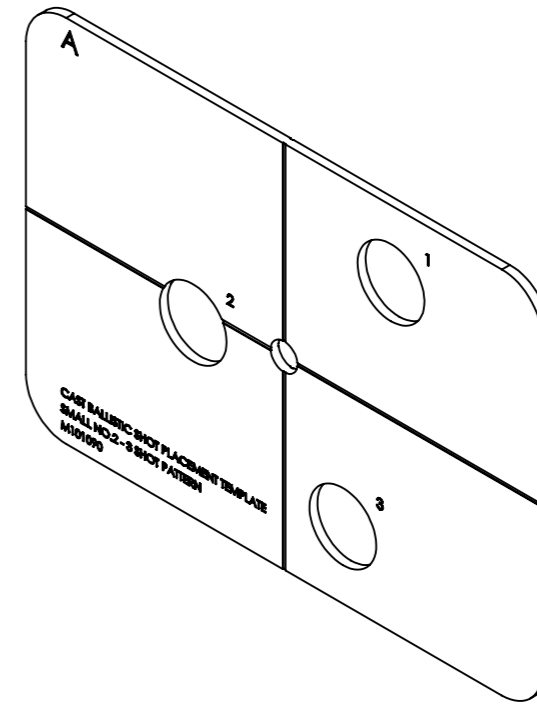


NOTES:

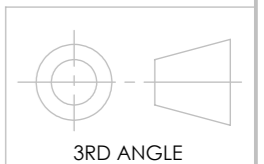
- CENTRE LINES TO BE ETCHED OR ENGRAVED.  
LINE THICKNESS: 1MM
- TEXT TO BE ENGRAVED OR ETCHED.  
TEXT FONT: ARIAL  
TEXT SIZE: TITLE - 10, SIDE (A/B) - 24  
LOCATION AS SHOWN

FOR TEXT DETAILS SEE NOTE 2

| REV. | DESCRIPTION | DATE       | STATUS | APPROVED BY |
|------|-------------|------------|--------|-------------|
| A    | ISSUED      | 03/02/2017 | ISSUED | TP          |



DO NOT SCALE DRAWING - DRAWN ON SOLIDWORKS  
IF IN DOUBT ASK



|  |   |  |   |
|--|---|--|---|
| <p>Home Office</p> <p>Centre for Applied Science and Technology</p>  | <p>UNLESS OTHERWISE SPECIFIED:<br/>1. DIMENSIONS ARE IN MILLIMETRES<br/>2. GENERAL TOLERANCES: ±0.10<br/>3. HOLES: ±0.10<br/>4. ANGLES: ±0.25°<br/>5. DE-BURR ALL HOLES &amp; SHARP EDGES</p> | <p>MATERIAL:<br/>Acrylic (Medium-high impact)</p>                                      | <p>FINISH:<br/>NATURAL</p>  |
|  | <p>Woodcock Hill<br/>Sandridge<br/>St Albans<br/>AL4 9HQ</p> <p>Tel: 01727-815051<br/>Email: cast@homeoffice.gsi.gov.uk</p>   | <p>PROJECT NAME: REV BDY ARM STD<br/>PROJECT CODE: 183A<br/>ADELPHI CODE: 9564130</p>  | <p>SECURITY:<br/>OFFICIAL</p>   |
| <p>NAME DATE</p> <p>DRAWN JM 03/02/2017<br/>MODELLED JM 16/01/2017<br/>CHECKED SG 06/02/2017</p>   |   | <p>TITLE:<br/>CAST BALLISTIC SHOT PLACEMENT TEMPLATE - SMALL NO.2 - 3 SHOT PATTERN</p> |   |
| <p>Woodcock Hill<br/>Sandridge<br/>St Albans<br/>AL4 9HQ</p>   |   | <p>DWG NO:<br/><b>M101090</b></p>  | <p>JOB NUMBER:</p>  |
| <p>HOME OFFICE CENTRE FOR APPLIED SCIENCE AND TECHNOLOGY (HOME OFFICE CAST) ©2017. THIS DOCUMENT CONTAINS COMMERCIAL SENSITIVE INFORMATION, ITS CONTENTS ARE THE PROPERTY OF HOME OFFICE CAST. IT MAY NOT BE USED, COPIED OR DISCLOSED WITHOUT THE PRIOR AUTHORISATION OF HOME OFFICE CAST. PRINTED COPIES MUST BE KEPT SECURE AND NOT READ IN AN UNSECURE ENVIRONMENT. THIS DOCUMENT IS RETURNABLE ON DEMAND.</p> |   | <p>USED ON:<br/>FILENAME: M101090</p>  | <p>STEP FILE NAME: STEP-M101090-A<br/>STL FILE NAME: STL-M101090-A<br/>DXF FILE NAME: DXF-M101090-A</p> |
|  |   | <p>SCALE: 1:2</p>  | <p>SHEET 1 OF 1<br/>A3</p>  |