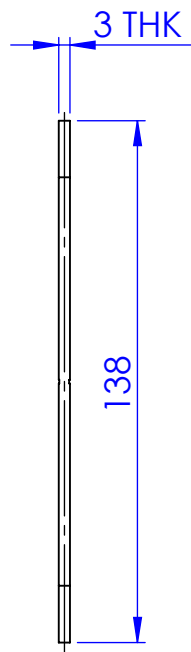
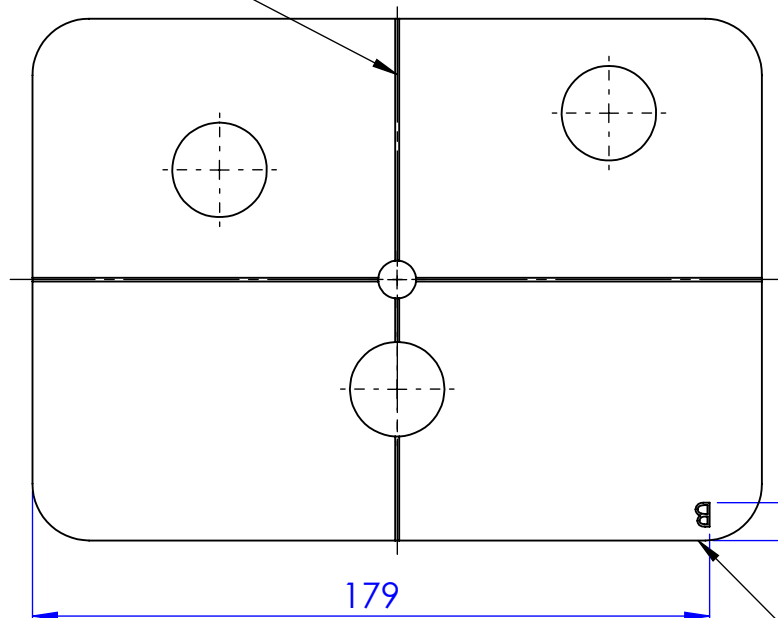


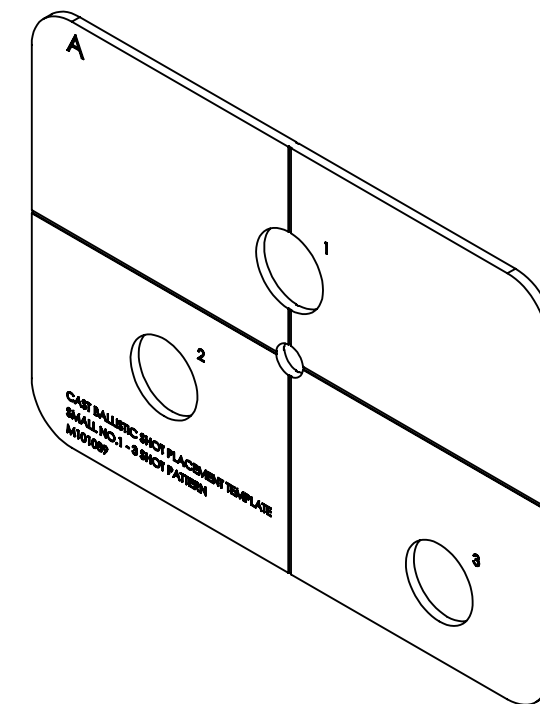
FOR GUIDLINE DETAILS SEE NOTE 1



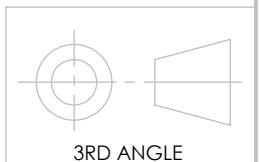
- NOTES:
- CENTRE LINES TO BE ETCHED OR ENGRAVED.
LINE THICKNESS: 1MM
 - TEXT TO BE ENGRAVED OR ETCHED.
TEXT FONT: ARIAL
TEXT SIZE: TITLE - 10, SIDE (A/B) - 24
LOCATION AS SHOWN

FOR TEXT DETAILS SEE NOTE 2

REV.	DESCRIPTION	DATE	STATUS	APPROVED BY
A	ISSUED	03/02/2017	ISSUED	TP



DO NOT SCALE DRAWING - DRAWN ON SOLIDWORKS
IF IN DOUBT ASK



<p>Home Office</p> <p>Centre for Applied Science and Technology</p>	<p>UNLESS OTHERWISE SPECIFIED:</p> <p>1. DIMENSIONS ARE IN MILLIMETRES</p> <p>2. GENERAL TOLERANCES: ± 0.10</p> <p>3. HOLES: ± 0.10</p> <p>4. ANGLES: $\pm 0.25^\circ$</p> <p>5. DE-BURR ALL HOLES & SHARP EDGES</p>	<p>MATERIAL:</p> <p>Acrylic (Medium-high impact)</p>	<p>FINISH:</p> <p>NATURAL</p>								
	<p>SECURITY:</p> <p>OFFICIAL</p>	<p>WEIGHT:</p> <p>89.43700 g</p>	<p>VOLUME:</p> <p>74530.83379 mm³</p>								
<p>Woodcock Hill Sandridge St Albans AL4 9HQ</p> <p>Tel: 01727-815051 Email: cast@homeoffice.gsi.gov.uk</p>	<table border="1"> <thead> <tr> <th>NAME</th> <th>DATE</th> </tr> </thead> <tbody> <tr> <td>DRAWN JM</td> <td>03/02/2017</td> </tr> <tr> <td>MODELLED JM</td> <td>16/01/2017</td> </tr> <tr> <td>CHECKED SG</td> <td>06/02/2017</td> </tr> </tbody> </table>	NAME	DATE	DRAWN JM	03/02/2017	MODELLED JM	16/01/2017	CHECKED SG	06/02/2017	<p>TITLE:</p> <p>CAST BALLISTIC SHOT PLACEMENT TEMPLATE - SMALL NO.1 - 3 SHOT PATTERN</p>	
NAME	DATE										
DRAWN JM	03/02/2017										
MODELLED JM	16/01/2017										
CHECKED SG	06/02/2017										
<p>PROJECT NAME: REV BDY ARM STD</p> <p>PROJECT CODE: 183A</p> <p>ADELPHI CODE: 9564130</p>	<p>DWG NO:</p> <p>M101089</p>	<p>JOB NUMBER:</p>									
<p>USED ON:</p> <p>FILENAME: M101089</p> <p>SCALE: 1:2</p>		<p>STEP FILE NAME:</p> <p>STEP-M101089-A</p>	<p>STL FILE NAME:</p> <p>STL-M101089-A</p>								
		<p>DXF FILE NAME:</p> <p>DXF-M101089-A</p>	<p>SHEET 1 OF 1</p> <p>A3</p>								